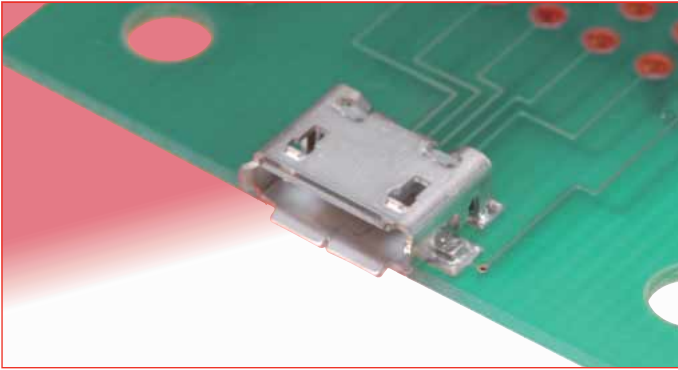


ZX Series Micro-USB connectors meeting requirements of USB 2.0 Standard

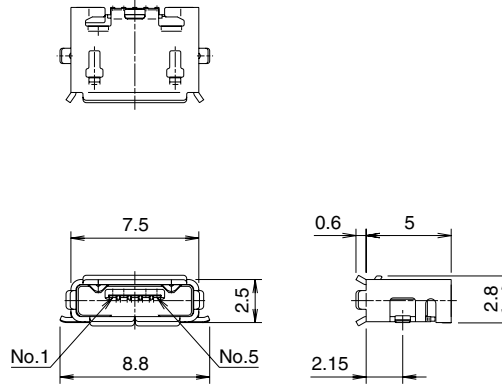
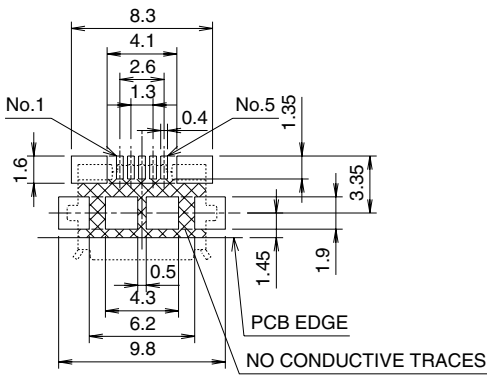
■ Receptacles

● Micro AB - Standard (Bottom mount), Shell SMT



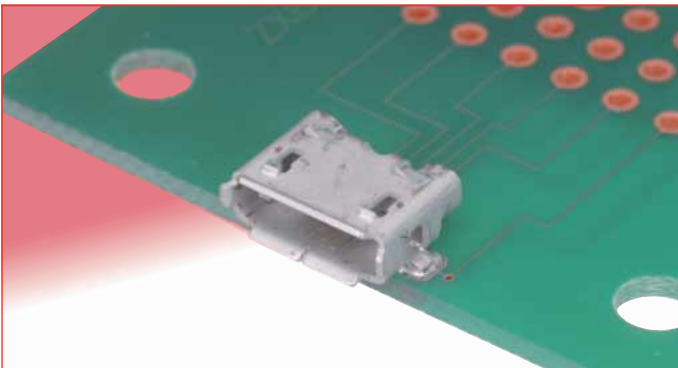
Part Number	CL No.	Packaging	RoHS
ZX62-AB-5PA	242-0045-7	2,000 pieces per reel	YES

◆ Recommended PCB mounting pattern



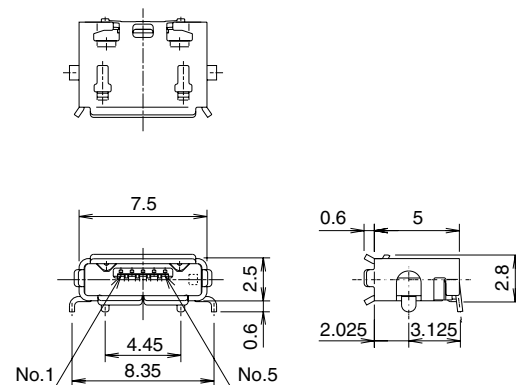
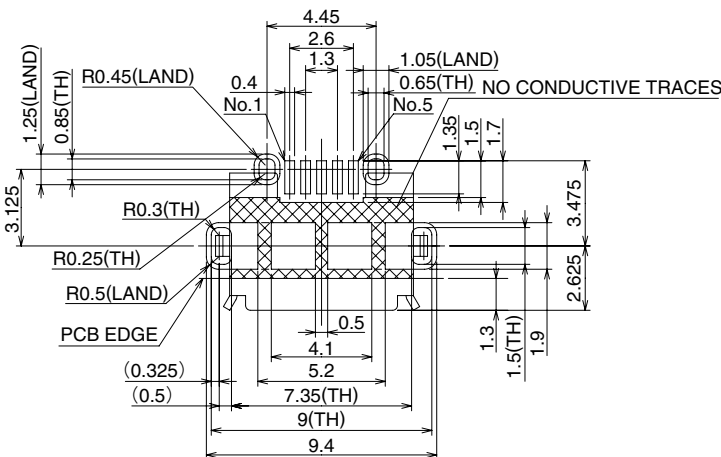
● Micro AB - Standard (Bottom mount), Shell through hole

All dimensions: mm



Part Number	CL No.	Packaging	RoHS
ZX62D-AB-5P8	242-0027-5	2,000 pieces per reel	YES

◆ Recommended PCB mounting pattern



All dimensions: mm

[Contact Us](#)[Connector Selector & Product Category](#)[Application](#)[Alphabetical Listing](#)[Part Number](#)[Site map](#)[Back to hirose.com](#)

Part number(s) obtained from the individual pages of the PDF catalogs on this site may have been changed. Please verify current part number on the RoHS link.

1. All information, such as connector specifications, dimensions, etc, on the web site are reference only. Connector information can be changed without notice.

Please request the latest specification and DWG from HRS before you design in our products.

Please confirm the RoHS status using the RoHS Compliant Part Number Search on this web site.

2. Please check the availability of Non-RoHS compliant products before ordering. Non-RoHS compliant products may be discontinued.

Series Product List

[Help](#)

Data:1

Request	Series Description	HRS No	Product No▼	Selling Unit	General Description
	ZX	242-0045-7 11	ZX62-AB-5PA(11)	1reel(3500pcs.)	

1. All information, such as connector specifications, dimensions, etc, on the web site are reference only. Connector information can be changed without notice.

Please request the latest specification and DWG from HRS before you design in our products.

Please confirm the RoHS status using the RoHS Compliant Part Number Search on this web site.

2. Please check the availability of Non-RoHS compliant products before ordering. Non-RoHS compliant products may be discontinued.

***Product specifications on this website are subject to change without notice. Contact Hirose for latest specifications, drawings, or availabilities.**

**This page is best viewed using Internet Explorer 5.5 or higher.*

Copyright (C) 1999-2009 HIROSE ELECTRIC CO., LTD.